

GATE VALVES



Sizes available: 2 to 5 inches

Pressure Ratings: 2,000 to 5,000 psi

End Connections available:

- Threaded LPT, CSG, LCSG, EUE, NUE
- Butt Weld Sch. 40-XXS and Metric
- FMC Weco[®] Hammer Union
- Flanged API and ANSI

Trim available: Standard, Sour Gas, and
Waterflood



<http://www.OTECO.com>



Advanced Manufacturing at our Houston, Texas Facility



Model 72 Gate Valve

Designed for the oilfield, the Model 72 gate valve is the proven, reliable choice for applications requiring up to 5,000 psi (345 bar) working pressure and 250°F (121°C) temperature. The Model 72 gate valve is ideal for corrosive water flood applications, sour gas and crude oil service, as well as certain wellhead applications. Whether used in your mud system, floor and standpipe manifold, or flow line application, the Model 72 is field proven for easy operation, tight shut-offs, long life, and simple, fast, low-cost field renewal. Manufactured in our Houston, Texas facility to high standards and rigorously tested prior to shipment ensures a quality valve for years of reliable field service.

Model 72 Features & Benefits

- Utilization of body subs allow change out of valve connections without replacing entire valve.
- Body subs for most valve connections including LPT, CSG, LCSG, EUE, NUE, Buttweld Sch.40 though XXS & metric, FMC Weco Hammer Union, and API & ANSI Flanged with custom end connections available upon request.
- Full rising one piece forged gate and stem display the current valve orientation as either open, partially open, or closed.
- Standard gate packings and components for a wide range of fluid environments.
- Five Inch end connections are based on the four inch valve's four inch port.

**Recommended Maximum Working Pressure (WP) and Shell Test Pressure (TP)
by End Connection PSI (BAR)**

END CONNECTION (WP)	2-Inch Working Pressure			3-Inch Working Pressure			4-Inch Working Pressure			5-Inch (4-Inch Full Port) Working Pressure		
	GV224 2,000 (138)	GV236 3,000 (207)	GV250 5,000 (345)	GV324 2,000 (138)	GV336 3,000 (207)	GV350 5,000 (345)	GV424 2,000 (138)	GV436 3,000 (207)	GV450 5,000 (345)	GV524 2,000 (138)	GV536 3,000 (207)	GV550 5,000 (345)
Line Pipe Thread (TP)	4,000 (276)	6,000 (414)	10,000 (689)	4,000 (276)	6,000 (414)	7,500 (517)	4,000 (276)	6,000 (414)	7,500 (517)	4,000 (276)	6,000 (414)	NA
Butt Weld SCH.40 (TP)	4,000 (276)	NR	NR	4,000 (276)	NR	NR	3,000 (207)	NR	NR	NA	NR	NR
Butt Weld SCH.80 (TP)	4,000 (276)	6,000 (414)	NR	4,000 (276)	6,000 (414)	NR	4,000 (276)	4,500 (310)	NR	4,000 (276)	NA	NR
Butt Weld SCH.160 (TP)	4,000 (276)	6,000 (414)	7,500 (517)	4,000 (276)	6,000 (414)	7,500 (517)	4,000 (276)	6,000 (414)	7,500 (517)	4,000 (276)	6,000 (414)	7,500 (517)
Butt Weld SCH.XXS (TP)	4,000 (276)	6,000 (414)	10,000 (689)	4,000 (276)	6,000 (414)	10,000 (689)	4,000 (276)	6,000 (414)	10,000 (689)	4,000 (276)	6,000 (414)	10,000 (689)
Raised Face Flange (ANSI) (TP)	4,000 (276)	6,000 (414)	10,000 (689)	4,000 (276)	6,000 (414)	10,000 (689)	4,000 (276)	6,000 (414)	10,000 (689)	4,000 (276)	6,000 (414)	10,000 (689)
RTJ Flange (API) (TP)	4,000 (276)	6,000 (414)	10,000 (689)	4,000 (276)	6,000 (414)	10,000 (689)	4,000 (276)	6,000 (414)	10,000 (689)	4,000 (276)	6,000 (414)	10,000 (689)
Weco® Figure 1002* (TP)	4,000 (276)	6,000 (414)	10,000 (689)	4,000 (276)	6,000 (414)	10,000 (689)	4,000 (276)	6,000 (414)	10,000 (689)	4,000 (276)	6,000 (414)	10,000 (689)
Weco® Figure 1502 (TP)	4,000 (276)	6,000 (414)	10,000 (689)	4,000 (276)	6,000 (414)	10,000 (689)	4,000 (276)	6,000 (414)	10,000 (689)	4,000 (276)	6,000 (414)	10,000 (689)

Color coded models match their representational dimensional charts.

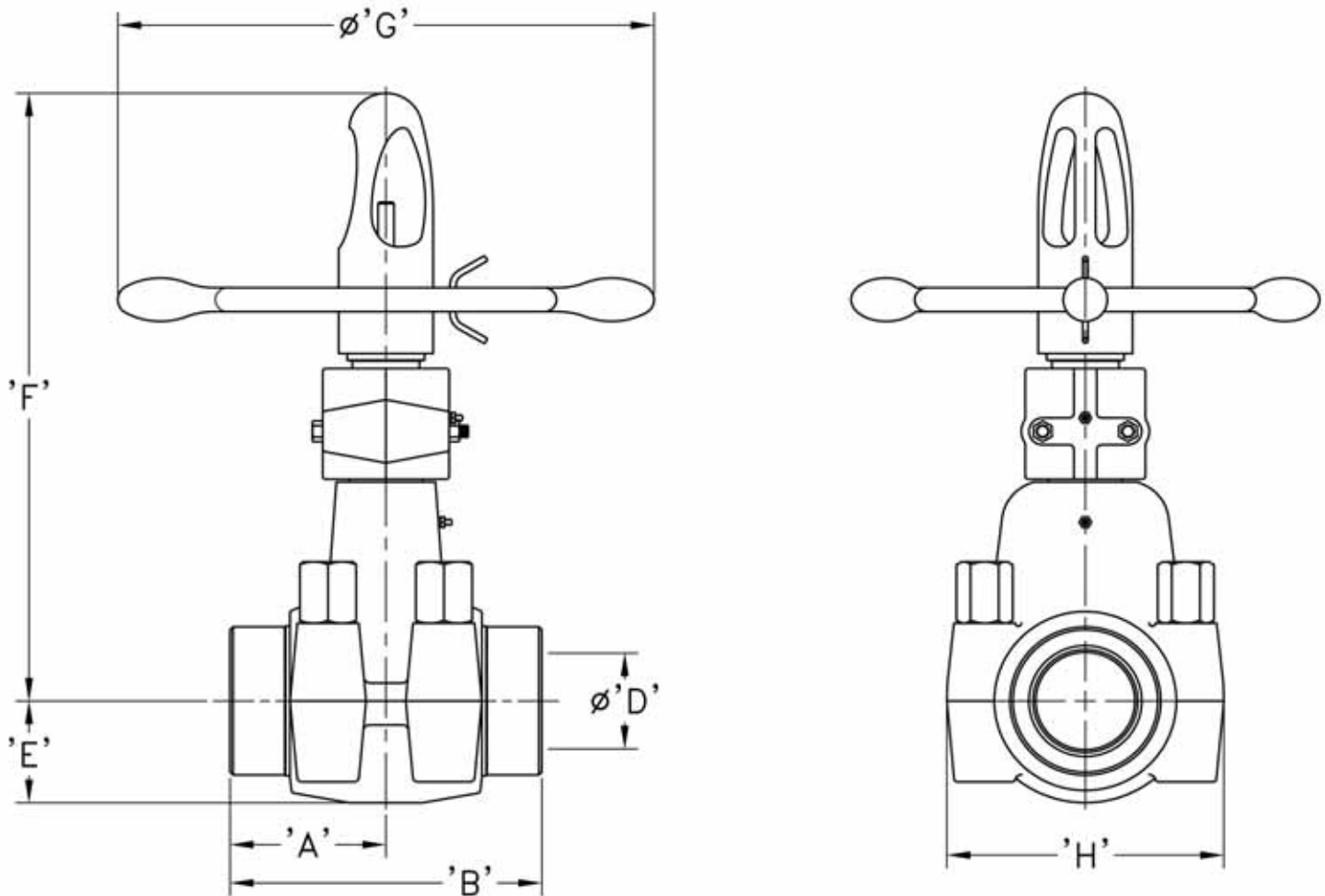
Directional leak test is performed at the Working Pressure (WP).

* - Sour Gas applications reduces working and test pressure.

NA - Not Applicable

NR - Not Recommended

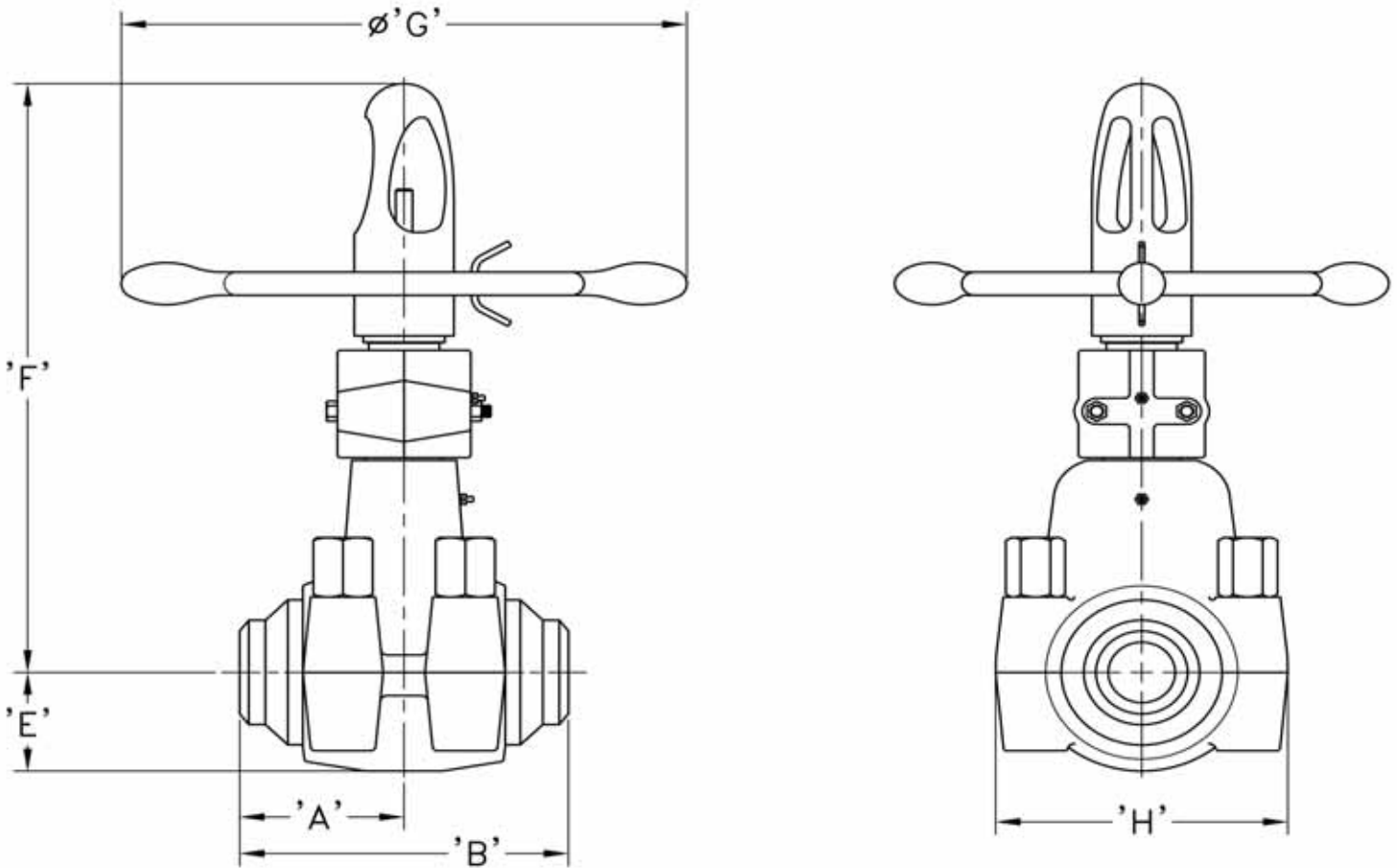
Weco® is a federally registered mark owned by FMC Technologies.



Line Pipe Threaded Gate Valve Assemblies - Inch (Metric mm)

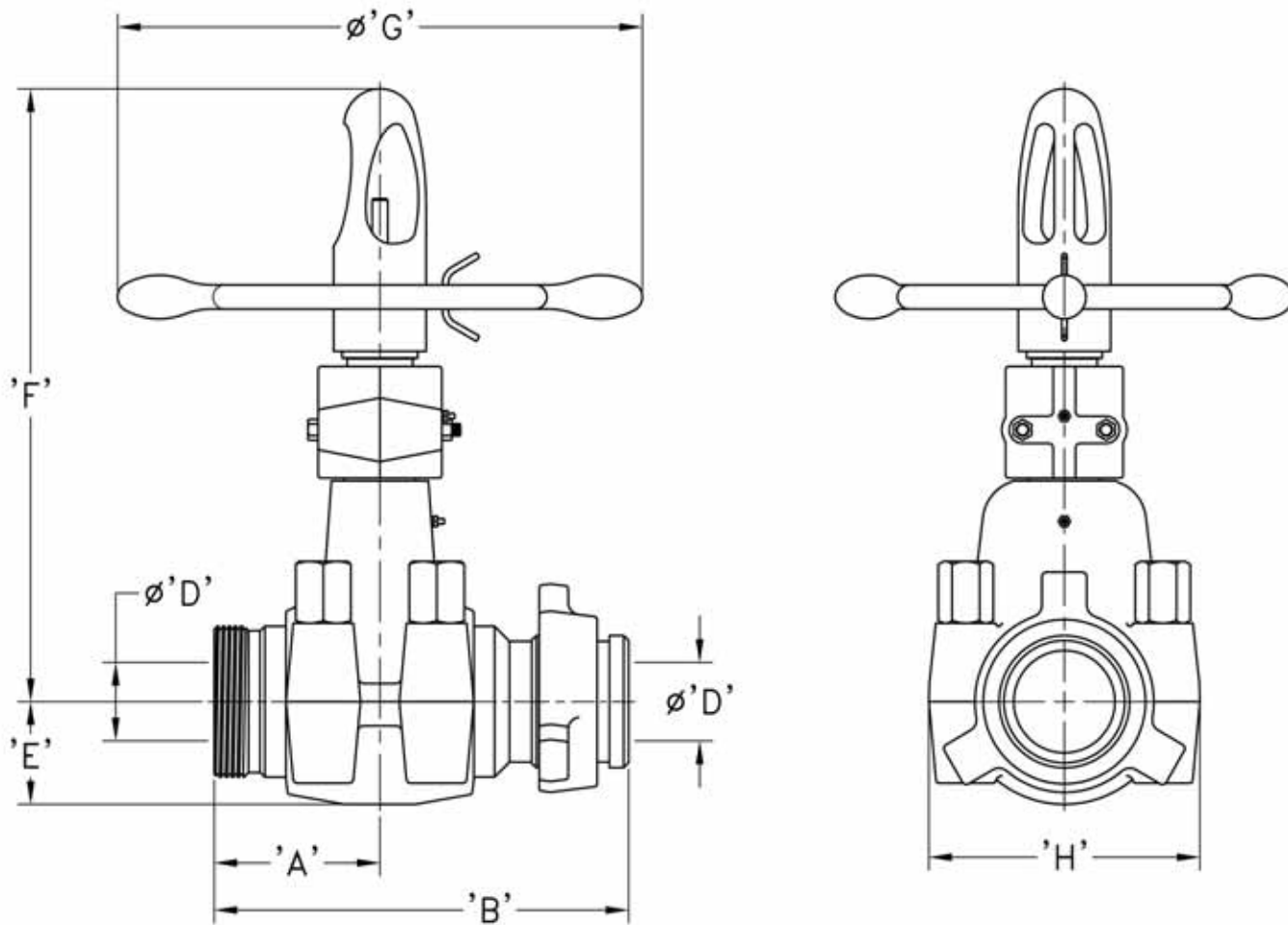
DESCRIPTION	'A'	'B'	'D'	'E'	'F'	'G'	'H'
GV224, THREADED GATE VALVE, 2" LP	3.69 (93.7)	7.38 (187.5)	2.06 (52.3)	2.38 (60.5)	13.19 (335.0)	14.00 (355.6)	7.88 (200.2)
GV236/250, THREADED GATE VALVE, 2" LP	4.50 (114.3)	9.00 (228.6)	2.06 (52.3)	2.81 (71.4)	16.00 (406.4)	17.00 (431.8)	7.56 (192.0)
GV324, THREADED GATE VALVE, 3" LP	4.25 (108)	8.50 (215.9)	3.06 (77.7)	3.31 (84.1)	19.00 (482.6)	17.00 (431.8)	9.38 (238.3)
GV336/350, THREADED GATE VALVE, 3" LP	5.50 (139.7)	11.00 (279.4)	3.06 (77.7)	3.69 (93.7)	21.00 (533.4)	20.00 (508)	10.00 (254)
GV424, THREADED GATE VALVE, 4" LP	5.50 (139.7)	11.00 (279.4)	4.06 (103.1)	3.88 (98.55)	23.88 (606.6)	20.00 (508)	10.63 (270.0)
GV436/450, THREADED GATE VALVE, 4" LP	6.50 (165.1)	13.00 (330.2)	4.06 (103.1)	4.25 (108)	25.25 (641.4)	22.00 (558.8)	11.38 (289.1)
GV524, THREADED GATE VALVE, 5" LP	6.50 (165.1)	12.00 (304.8)	4.06 (103.1)	3.88 (98.55)	23.88 (606.6)	20.00 (508)	10.63 (270.0)
GV536/550, THREADED GATE VALVE, 5" LP	7.28 (184.9)	14.56 (369.8)	4.06 (103.1)	4.25 (108)	25.25 (641.4)	22.00 (558.8)	11.38 (289.1)

** Dimensional values are reference. Custom and non-standard end connections will differ.



Butt Weld Gate Valve Assemblies (all schedules) - Inch (Metric mm)						
DESCRIPTION	'A'	'B'	'E'	'F'	'G'	'H'
GV224,BUTT WELD GATE VALVE,2"	3.69 (93.7)	7.38 (187.5)	2.38 (60.5)	13.19 (335.0)	14.00 (355.6)	7.88 (200.2)
GV236/250,BUTT WELD GATE VALVE,2"	4.50 (114.3)	9.00 (228.6)	2.81 (71.4)	16.00 (406.4)	17.00 (431.8)	7.56 (192)
GV324,BUTT WELD GATE VALVE,3"	4.50 (114.3)	8.50 (215.9)	3.31 (84.1)	19.00 (482.6)	17.00 (431.8)	9.38 (238.3)
GV336/350,BUTT WELD GATE VALVE,3"	5.50 (139.7)	11.00 (279.4)	3.69 (93.7)	21.00 (533.4)	20.00 (508)	10 (254)
GV424,BUTT WELD GATE VALVE,4"	5.50 (139.7)	11.00 (279.4)	3.88 (98.6)	23.88 (606.6)	20.00 (508)	10.63 (270)
GV436/450,BUTT WELD GATE VALVE,4"	6.50 (165.1)	13.00 (330.2)	4.25 (108)	25.25 (641.4)	22.00 (558.8)	11.38 (289.1)
GV524,BUTT WELD GATE VALVE,5"	5.50 (139.7)	11.00 (279.4)	3.88 (98.6)	23.88 (606.6)	20.00 (508)	10.63 (270)
GV536/550,BUTT WELD GATE VALVE,5"	6.50 (165.1)	13.00 (330.2)	4.25 (108)	25.25 (641.4)	22.00 (558.8)	11.38 (289.1)

** Dimensional values are reference. Custom and non-standard end connections will differ.

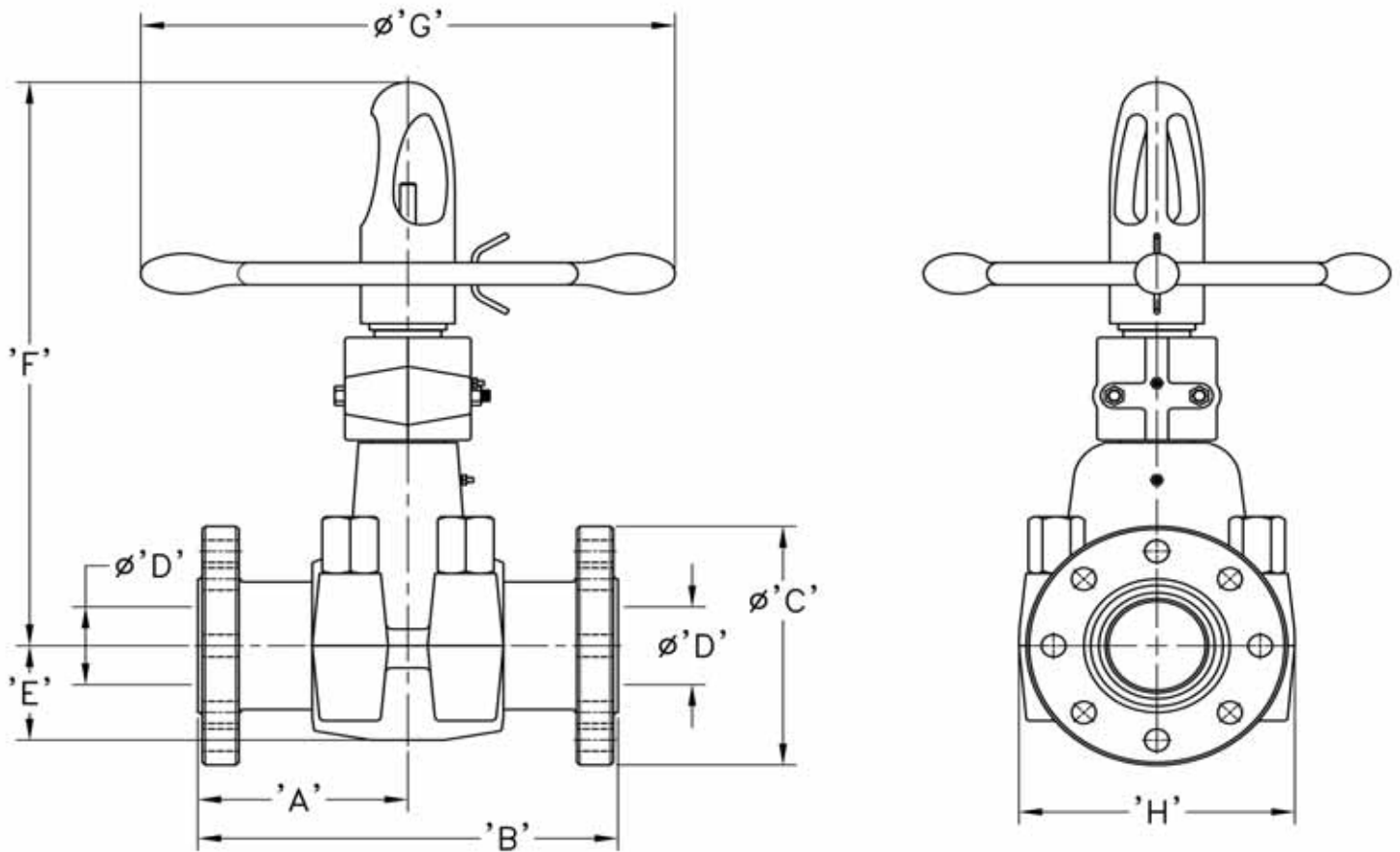


FMC Weco Hammer Union Gate Valve Assemblies - Inch (Metric mm)

DESCRIPTION	'A'	'B'	'C'	'D'	'E'	'F'	'G'	'H'
GV224, UNION GATE VALVE, 2" FIG. 602, 1002	4.38 (111.3)	11.00 (279.4)	1.88 (47.8)	1.88 (47.8)	2.38 (60.5)	13.19 (335.0)	14.00 (355.6)	7.88 (200.2)
GV236/250, UNION GATE VALVE, 2" FIG. 602, 1002, 1502	5.69 (144.5)	12.88 (327.2)	1.88 (47.8)	1.88 (47.8)	2.81 (71.4)	16.00 (406.4)	17.25 (438.2)	7.56 (192)
GV324, UNION GATE VALVE, 3" FIG. 602, 1002	5.25 (133.4)	12.63 (320.8)	3.00 (76.2)	3.00 (76.2)	3.31 (84.1)	19.00 (482.6)	17.25 (438.2)	9.38 (238.3)
GV324, UNION GATE VALVE, 3" FIG. 1502	5.25 (133.4)	12.63 (320.8)	2.75 (69.9)	2.75 (69.9)	3.31 (84.1)	19.00 (482.6)	17.25 (438.2)	9.38 (238.3)
GV336/350, UNION GATE VALVE, 3" FIG. 602, 1002	5.94 (150.9)	14.63 (371.6)	3.00 (76.2)	3.00 (76.2)	3.75 (95.25)	21.00 (533.4)	20.00 (508)	10 (254)
GV336/350, UNION GATE VALVE, 3" FIG. 1502	5.94 (150.9)	14.63 (371.6)	2.75 (69.9)	2.75 (69.9)	3.75 (95.25)	21.00 (533.4)	20.00 (508)	10 (254)
GV424, UNION GATE VALVE, 4" FIG. 602	5.50 (139.7)	14.25 (362.0)	4.00 (101.6)	4.00 (101.6)	3.88 (98.6)	23.88 (606.6)	20.00 (508)	10.63 (270)
GV436/450, UNION GATE VALVE, 4" FIG. 602, 1002	6.94 (176.3)	17.38 (441.5)	4.00 (101.6)	4.00 (101.6)	4.25 (108.0)	25.25 (641.35)	22.00 (558.8)	11.38 (289.1)
GV524, UNION GATE VALVE, 5" FIG. 602, 1002	7.00 (177.8)	15.88 (403.4)	4.06 (103.1)	4.06 (103.1)	3.88 (98.6)	23.88 (606.6)	20.00 (508)	10.63 (270)
GV536/550, UNION GATE VALVE, 5" FIG. 602/1002	7.25 (184.2)	16.38 (416.1)	4.06 (103.1)	4.06 (103.1)	4.25 (108.0)	25.25 (641.35)	22.00 (558.8)	11.38 (289.1)

** Dimensional values are reference. Custom and non-standard end connections will differ.

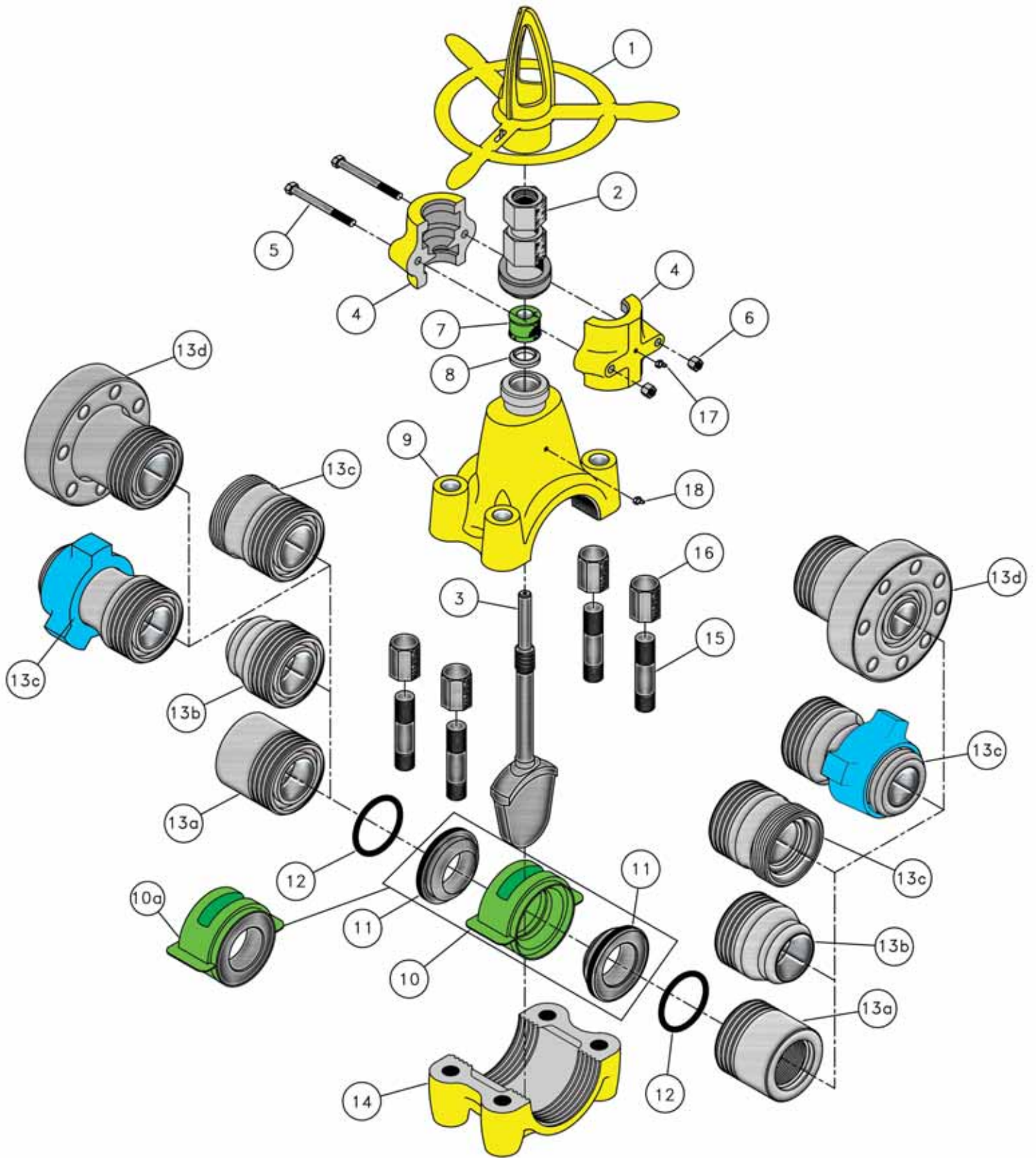
MODEL 72 GATE VALVE DIMENSIONS



API Flanged Gate Valve Assemblies - Inch (Metric mm)								
DESCRIPTION	'A'	'B'	'C'	'D'	'E'	'F'	'G'	'H'
GV224, FLANGED GATE VALVE, 2.06-2K, RJ	5.81 (147.6)	11.63 (295.4)	6.50 (165.1)	2.06 (52.3)	2.38 (60.5)	13.19 (335.0)	14.00 (355.6)	7.88 (200.2)
GV236, FLANGED GATE VALVE, 2.06-3K, RJ	5.81 (147.6)	11.63 (295.4)	8.50 (215.9)	2.06 (52.3)	2.81 (71.4)	16.00 (406.4)	17.00 (431.8)	7.56 (192.0)
GV250, FLANGED GATE VALVE, 2.06-5K, RJ	5.81 (147.6)	11.63 (295.4)	8.50 (215.9)	2.06 (52.3)	2.81 (71.4)	16.00 (406.4)	17.00 (431.8)	7.56 (192.0)
GV324, FLANGED GATE VALVE, 3.12-2K, RJ	7.06 (179.3)	14.13 (358.9)	8.25 (209.6)	3.06 (77.7)	3.31 (84.1)	19.00 (482.6)	17.00 (431.8)	9.38 (238.3)
GV336, FLANGED GATE VALVE, 3.12-3K, RJ	7.06 (179.3)	14.13 (358.9)	9.50 (241.3)	3.06 (77.7)	3.69 (93.7)	21.00 (533.4)	20.00 (508.0)	10.00 (254)
GV350, FLANGED GATE VALVE, 3.12-5K, RJ	7.81 (198.4)	15.63 (397.0)	10.50 (266.7)	3.06 (77.7)	3.69 (93.7)	21.00 (533.4)	20.00 (508.0)	10.00 (254)
GV424, FLANGED GATE VALVE, 4.06-2K, RJ	8.56 (217.4)	17.13 (435.1)	10.75 (273.1)	4.06 (103.1)	3.88 (98.6)	23.88 (606.6)	20.00 (508.0)	10.63 (270.0)
GV436, FLANGED GATE VALVE, 4.06-3K, RJ	8.19 (208.0)	16.38 (416.1)	11.50 (292.1)	4.06 (103.1)	4.25 (108.0)	25.25 (641.4)	22.00 (558.8)	11.38 (289.1)
GV450, FLANGED GATE VALVE, 4.06-5K, RJ	9.00 (228.6)	18.00 (457.2)	12.25 (311.2)	4.06 (103.1)	4.25 (108.0)	25.25 (641.4)	22.00 (558.8)	11.38 (289.1)
GV524, FLANGED GATE VALVE, 5.12-2K, RJ	8.56 (217.4)	17.13 (435.1)	13.00 (330.2)	4.06 (103.1)	3.875 (98.4)	23.88 (606.6)	20.00 (508.0)	10.63 (270.0)
GV536, FLANGED GATE VALVE, 5.12-3K, RJ	8.19 (208.0)	16.38 (416.1)	13.75 (349.3)	4.06 (103.1)	4.25 (108.0)	25.25 (641.4)	22.00 (558.8)	11.38 (289.1)
GV550, FLANGED GATE VALVE, 5.12-5K, RJ	9.00 (228.6)	18.00 (457.2)	14.75 (374.7)	4.06 (103.1)	4.25 (108.0)	25.25 (641.4)	22.00 (558.8)	11.38 (289.1)

** Dimensional values are reference. Custom and non-standard end connections will differ.

MODEL 72 GATE VALVE ASSEMBLY



Minor Repair Kit Contents

Description	Assembly #
Gate Packing	Item 10 or 10a
Wear Plate	Item 11 or 10a
"O"-Ring	Item 12

Major Repair Kit Contents

Description	Assembly #
Gate Packing	Item 10 or 10a
Wear Plate	Item 11 or 10a
"O"-Ring	Item 12
Gate	Item 3
Stem Packing	Item 7

See Gate Valve assembly for item location and reference.

Item 10a is a bonded gate packing (wear plates are molded into packing).

DESCRIPTION	OTECO PART NO.	WEIGHT Lbs.	GATE VALVE MODEL(S)
(ECO - HYDRIN - SOUR GAS/WATERFLOOD), (NBR - NITRILE - STANDARD SERVICE), (VIT - VITON - SOUR GAS) (STD - Standard - 1026 Carburized), (SS - 316 Stainless Steel) (Bonded - Gate packing has Integral wear plates)			
MINOR REPAIR KIT,V224,NBR,STD	120022	3	224
MINOR REPAIR KIT,V236/250,NBR,STD	120025	5	236,250
MINOR REPAIR KIT,V336/350,NBR,STD	120035	9	336,350
MINOR REPAIR KIT,V436/450,NBR,STD	120045	12	436,450,536,550
MINOR REPAIR KIT BONDED,V424,NBR,STD	120114	9	424,524
MINOR REPAIR KIT BONDED,V236/250,NBR,STD	120111	5	236,250
MINOR REPAIR KIT BONDED,V336/350,NBR,STD	120113	9	336,350
MINOR REPAIR KIT BONDED,V436/450,NBR,STD	120115	12	436,450,536,550
MAJOR REPAIR KIT,V224,NBR,STD	120052	4	224
MAJOR REPAIR KIT,V324,NBR,STD	120062	12	324
MAJOR REPAIR KIT,V424,NBR,STD	120072	18	424,524
MAJOR REPAIR KIT,V236/250,ECO,SS	120081	7	236,250
MAJOR REPAIR KIT,V236/250,NBR,SS	120067	7	236,250
MAJOR REPAIR KIT,V236/250,NBR,STD	120055	7	236,250
MAJOR REPAIR KIT,V336/350,ECO,SS	120083	15	336,350
MAJOR REPAIR KIT,V336/350,NBR,STD	120065	15	336,350
MAJOR REPAIR KIT,V436/450,ECO,SS	120085	23	436,450,536,550
MAJOR REPAIR KIT,V436/450,NBR,STD	120075	23	436,450,536,550
MAJOR REPAIR KIT BONDED,V224,NBR,STD	120162	4	224
MAJOR REPAIR KIT BONDED,V324,NBR,STD	120164	12	324
MAJOR REPAIR KIT BONDED,V424,NBR,STD	120166	18	424,524
MAJOR REPAIR KIT BONDED,V236/250,ECO,SS	120181	7	236,250
MAJOR REPAIR KIT BONDED,V236/250,NBR,STD	120163	7	236,250
MAJOR REPAIR KIT BONDED,V336/350,NBR,STD	120165	15	336,350
MAJOR REPAIR KIT BONDED,V436/450,ECO,SS	120185	23	436,450,536,550
MAJOR REPAIR KIT BONDED,V436/450,NBR,STD	120167	23	436,450,536,550

Use of genuine Oteco parts assures cost effective operation along with our standard warranty coverage.

ITEM NO.	DESCRIPTION	OTECO PART NO.	WEIGHT Lbs.	GATE VALVE MODEL(S)
1	HANDWHEEL ASSEMBLY			
	HANDWHEEL 2122	120121	7	224
	HANDWHEEL 3242	120132	10	236,250,324
	HANDWHEEL 4242	120142	19	336,350,424,524
	HANDWHEEL 4362	120143	31	436,450,536,550
2	STEM NUT ASSEMBLY			
	STEM NUT 2242	120222	2	224
	STEM NUT 3242	120232	4	236,250,324
	STEM NUT 4242	120242	8	336,350,424,524
	STEM NUT 4362	120243	11	436,450,536,550
3	GATE - Standard Service (4130 Elec. Nickel Plated)			
	GATE 224	120322	2	224
	GATE 236	120323	3	236,250
	GATE 324	120332	4	324
	GATE 336	120333	7	336,350
	GATE 424	120342	9	424,524
	GATE 436	120343	11	436,450,536,550
	GATE - Sour Gas, Anti-Corrosive (316 Stainless Steel)			
	GATE 224,SS	120229	2	224
	GATE 236,SS	120230	3	236,250
	GATE 324,SS	120231	4	324
	GATE 336,SS	120233	7	336,350
	GATE 424,SS	120234	9	424,524
	GATE 436,SS	120235	11	436,450,536,550
4	SPLIT BONNET ASSEMBLY (Includes Items 5, 6 & 17)			
	SPLIT BONNET 2122	120421	6	224
	SPLIT BONNET 3242	120432	10	236,250,324
	SPLIT BONNET 4242	120442	13	336,350,424,524
	SPLIT BONNET 4362	120443	20	436,450,536,550

ITEM NO.	DESCRIPTION	OTECO PART NO.	WEIGHT Lbs.	GATE VALVE MODEL(S)
5	BONNET BOLT (2 Req'd)			
	BONNET BOLT 2242	120522	0.5	224
	BONNET BOLT 3242	120532	0.5	236,250,324
	BONNET BOLT 4242	120542	0.5	336,350,424,524
	BONNET BOLT 4362	120543	1	436,450,536,550
6	BONNET NUT (2 Req'd)			
	BONNET NUT 2345	120623	0.5	ALL MODELS
7	STEM PACKING			
	(ECO - HYDRIN - SOUR GAS/WATERFLOOD)			
	(NBR - NITRILE - STANDARD SERVICE)			
	(VIT - VITON - SOUR GAS)			
	STEM PACKING 224,ECO	120000	0.5	224
	STEM PACKING 224,NBR	120722	0.5	224
	STEM PACKING 324,ECO	120001	0.5	236,250,324
	STEM PACKING 324,NBR	120732	0.5	236,250,324
	STEM PACKING 324,VIT	120005	0.5	236,250,324
	STEM PACKING 424,ECO	120002	0.5	336,350,424,524
	STEM PACKING 424,NBR	120742	0.5	336,350,424,524
	STEM PACKING 424,VIT	120006	0.5	336,350,424,524
	STEM PACKING 436,ECO	120003	0.5	436,450,536,550
STEM PACKING 436,NBR	120743	0.5	436,450,536,550	
STEM PACKING 436,VIT	120007	0.5	436,450,536,550	
8	STEM PACKING RING - Standard Service			
	(1020 Cadmium Plated)			
	STEM PACKING RING 224	120822	0.5	224
	STEM PACKING RING 324	120832	0.5	236,250,324
	STEM PACKING RING 424	120842	0.5	336,350,424,524
	STEM PACKING RING 436	120843	0.5	436,450,536,550
	Sour Gas, Anti-Corrosive			
	(316 Stainless Steel)			
	STEM PACKING RING 324,SS	120009	0.5	236,250,324
	STEM PACKING RING 424,SS	120010	0.5	336,350,424,524
STEM PACKING RING 436,SS	120011	0.5	436,450,536,550	

ITEM NO.	DESCRIPTION	OTECO PART NO.	WEIGHT Lbs.	GATE VALVE MODEL(S)
9	VALVE BODY - Standard Service			
	VALVE BODY 224	120922	16	224
	VALVE BODY 236	120923	18	236
	VALVE BODY 250	120925	17	250
	VALVE BODY 324	120932	28	324
	VALVE BODY 336	120933	40	336
	VALVE BODY 350	120935	40	350
	VALVE BODY 424	120942	43	424
	VALVE BODY 436	120943	64	436
	VALVE BODY 450	120945	58	450
	Sour Gas			
	VALVE BODY 236,SG	120220	18	236
	VALVE BODY 250,SG	120221	17	250
	VALVE BODY 324,SG	120223	28	324
	VALVE BODY 450,SG	120228	58	450
Xylan coated and sour gas in non-standard size available upon request				
10	GATE PACKING			
	(ECO - HYDRIN - SOUR GAS/WATERFLOOD)			
	(NBR - NITRILE - STANDARD SERVICE)			
	(VIT - VITON - SOUR GAS)			
	GATE PACKING 224,ECO	120016	0.5	224
	GATE PACKING 224,NBR	121022	0.5	224
	GATE PACKING 236,ECO	120017	0.5	236,250
	GATE PACKING 236,NBR	121023	0.5	236,250
	GATE PACKING 236,VIT	120024	0.5	236,250
	GATE PACKING 324,ECO	120018	1	324
	GATE PACKING 324,NBR	121032	1	324
	GATE PACKING 324,VIT	120026	1	324
	GATE PACKING 336,ECO	120019	1	336,350
	GATE PACKING 336,NBR	121033	1	336,350
	GATE PACKING 424,ECO	120020	1	424,524
	GATE PACKING 424,NBR	121042	1	424,524
	GATE PACKING 436,ECO	120021	2	436,450,536,550
	GATE PACKING 436,NBR	121043	2	436,450,536,550
	GATE PACKING 436,VIT	120029	2	436,450,536,550

ITEM NO.	DESCRIPTION	OTECO PART NO.	WEIGHT Lbs.	GATE VALVE MODEL(S)
10a	GATE PACKING - With Integral Wear Plates (Items 10 & 11 Bonded)			
	(ECO - HYDRIN - SOUR GAS/WATERFLOOD)			
	(NBR - NITRILE - STANDARD SERVICE)			
	(VIT - VITON - SOUR GAS)			
	(STD - Standard - 1026 Carburized), (SS - 316 Stainless Steel)			
	GATE PACKING 224,NBR,STD	121722	3	224
	GATE PACKING 236/250,ECO,STD	120281	5	236,250
	GATE PACKING 236/250,ECO,SS	120287	5	236,250
	GATE PACKING 236/250,NBR,STD	121723	5	236,250
	GATE PACKING 236/250,NBR,SS	120275	5	236,250
	GATE PACKING 236/250,VIT,SS	120305	5	236,250
	GATE PACKING 324,ECO,SS	120288	8	324
	GATE PACKING 324,NBR,STD	121732	8	324
	GATE PACKING 336/350,ECO,SS	120289	9	336,350
	GATE PACKING 336/350,NBR,STD	121733	9	336,350
	GATE PACKING 336/350,NBR,SS	120277	9	336,350
	GATE PACKING 336/350,VIT,SS	120307	9	336,350
	GATE PACKING 424,ECO,STD	120282	9	424,524
	GATE PACKING 424,NBR,SS	120278	9	424,524
	GATE PACKING 424,NBR,STD	121742	9	424,524
	GATE PACKING 436/450,ECO,STD	120283	12	436,450,536,550
	GATE PACKING 436/450,ECO,SS	120291	12	436,450,536,550
	GATE PACKING 436/450,NBR,STD	121743	12	436,450,536,550
	GATE PACKING 436/450,NBR,SS	120279	12	436,450,536,550
	GATE PACKING 436/450,VIT,SS	120309	12	436,450,536,550
11	WEAR PLATES - Standard Service			
	(1026 Carburized)			
	WEAR PLATE 2242	121122	1	224
	WEAR PLATE 2362	121123	2	236,250
	WEAR PLATE 3242	121132	3	324
	WEAR PLATE 3362	121133	4	336,350
	WEAR PLATE 4242	121142	4	424,524
	WEAR PLATE 4362	121143	5	436,450,536,550
	WEAR PLATES - Sour Gas, Anti-Corrosive			
	(316 Stainless Steel)			
	WEAR PLATE 2242,SS	120244	1	223
	WEAR PLATE 2362,SS	120245	2	236,250
	WEAR PLATE 3242,SS	120246	3	324
	WEAR PLATE 3362,SS	120247	4	336,350
	WEAR PLATE 4242,SS	120248	4	424,524
	WEAR PLATE 4362,SS	120249	5	436,450,536,550

ITEM NO.	DESCRIPTION	OTECO PART NO.	WEIGHT Lbs.	GATE VALVE MODEL(S)
12	"O"-RING (2 Req'd) (ECO - HYDRIN - SOUR GAS/WATERFLOOD) (NBR - NITRILE - STANDARD SERVICE) (VIT - VITON - SOUR GAS)			
	"O"-RING 224 ECO	120034	0.5	224
	"O"-RING 224,NBR	121222	0.5	224
	"O"-RING 236,ECO	120036	0.5	236,250
	"O"-RING 236,NBR	121223	0.5	236,250
	"O"-RING 236,VIT	120044	0.5	236,250
	"O"-RING 324,ECO	120037	0.5	324
	"O"-RING 324,NBR	121232	0.5	324
	"O"-RING 336,ECO	120038	0.5	336,350
	"O"-RING 336,NBR	121233	0.5	336,350
	"O"-RING 336,VIT	120047	0.5	336,350
	"O"-RING 424,ECO	120039	0.5	424,525
	"O"-RING 424,NBR	121242	0.5	424,525
	"O"-RING 436,ECO	120040	0.5	436,450,535,550
	"O"-RING 436,NBR	121243	0.5	436,450,535,550
	"O"-RING 436,VIT	120049	0.5	436,450,535,550

Only the most common end connections are listed, please contact your Oteco sales representative to find any connection not listed.

13a THREADED BODY SUBS - Standard Service

THREADED BODY SUB,2K,2"LPT	121322	4	224
THREADED BODY SUB,3K&5K,2"LPT	121323	8	236,250
THREADED BODY SUB,2K,3"LPT	121332	6	324
THREADED BODY SUB,3K&5K,3"LPT	121333	14	336,350
THREADED BODY SUB,2K,4"LPT	121342	12	424
THREADED BODY SUB,3K&5K,4"LPT	121343	22	436,450
THREADED BODY SUB,2K,5"LPT	121352	18	524
THREADED BODY SUB,3K,5"LPT	121353	27	536

THREADED BODY SUBS - Sour Gas

THREADED BODY SUB,3K&5K,2"LPT,SG	120329	8	236,250
THREADED BODY SUB,3K&5K,3"LPT,SG	120328	14	336,350

ITEM NO.	DESCRIPTION	OTECO PART NO.	WEIGHT Lbs.	GATE VALVE MODEL(S)
13b	BUTTWELD SUBS - Standard Service			
	BUTTWELD SUB,2" SCH.160	123223	3	236,250
	BUTTWELD SUB,2" SCH.XXS	120373	3	236,250
	BUTTWELD SUB,3" SCH.XXS	120374	6	324
	BUTTWELD SUB,3" SCH.160	123233	8	336,350
	BUTTWELD SUB,3" SCH.XXS	120375	8	336,350
	BUTTWELD SUB,4" SCH.160	123243	21	436,450
	BUTTWELD SUB,4" SCH.XXS	123245	22	436,450
	BUTTWELD SUB,5" SCH.XXS	120377	26	524
	BUTTWELD SUB,5" SCH.XXS	123255	30	536,550
	BUTTWELD SUBS - Sour Gas			
	BUTTWELD SUB,2" SCH.160,SG	123224	3	236,250
	BUTTWELD SUB,2" SCH.XXS,SG	120422	3	236,250
	BUTTWELD SUB,3" SCH.XXS,SG	120101	8	336,350
	BUTTWELD SUB,4" SCH.160,SG	120104	21	436,450
	BUTTWELD SUB,4" SCH.XXS,SG	120103	22	436,450
	BUTTWELD SUB,5" SCH.160,SG	120105	29	536,550
	BUTTWELD SUB,5" SCH.XXS,SG	120102	30	536,550

Buttweld uses 37.5 degree bevel with schedules per ANSI B36.10.

13c	FMC Weco Hammer Union Subs - Standard Service - Male			
	UNION BODY SUB,2"FIG.602/1002,M	120429	15	236,250
	UNION BODY SUB,2"FIG.1502,M	120388	15	235,250
	UNION BODY SUB,3"FIG.602/1002/1502,M	120397	22	336,350
	UNION BODY SUB,4"FIG.602/1002,M	120389	31	436,450
	UNION BODY SUB,5"FIG.1002,M	120335	37	450
	FMC Weco Hammer Union Subs - Sour Gas - Male			
	UNION BODY SUB,2"FIG.602/1002,M,SG	120445	15	236,250
	UNION BODY SUB,2"FIG.1502,M,SG	120450	15	236,250
	UNION BODY SUB,3"FIG.602/1002/1502,M,SG	120451	22	336,350
	UNION BODY SUB,4"FIG.602/1002,M,SG	120447	31	436,450

ITEM NO.	DESCRIPTION	OTECO PART NO.	WEIGHT Lbs.	GATE VALVE MODEL(S)
13c	FMC Weco Hammer Union Subs - Standard Service - Female			
	UNION BODY SUB,2"FIG.1502,F	120381	15	236,250
	UNION BODY SUB,3"FIG.602,F	120398	22	336,350
	UNION BODY SUB,3"FIG.1502,F	120385	22	336,350
	UNION BODY SUB,4"FIG.602,F	120382	31	436,450
	UNION BODY SUB,4"FIG.1002,F	120383	31	436,450
	UNION BODY SUB,5"FIG.1002,F	120334	37	436,450
	FMC Weco Hammer Union Subs - Sour Gas - Female			
	UNION BODY SUB,2"FIG.1502,F,SG	120448	15	236,250
	UNION BODY SUB,3"FIG.1502,F,SG	120452	22	336,350
	UNION BODY SUB,4"FIG.1002,F,SG	120446	31	436,450
13d	FLANGED BODY SUB - Standard Service - API			
	RF - Raised Face, RJ - Ring Joint			
	FLANGED BODY SUB,2.06"-2K,RJ	123722	15	224
	FLANGED BODY SUB,2.06"-3&5K,RJ	123723	42	236,250
	FLANGED BODY SUB,3.12"-2K,RJ - 3.06" Bore	123732	29	324
	FLANGED BODY SUB,3.12"-3K,RJ - 3.06" Bore	123733	47	336
	FLANGED BODY SUB,3.12"-5K,RJ - 3.06" Bore	123735	54	350
	FLANGED BODY SUB,4.06"-2K,RJ	123742	54	424
	FLANGED BODY SUB,4.06"-3K,RJ	123743	59	436
	FLANGED BODY SUB,4.06"-5K,RJ	123745	88	450
	FLANGED BODY SUB,4.06"-5K,RF,RJ	120444	88	450
	FLANGED BODY SUB,5.12"-2K,RJ - 4.06" Bore	123752	117	524
	FLANGED BODY SUB,5.12"-5K,RJ - 4.06" Bore	123755	190	550
	FLANGED BODY SUB - Standard Service - ANSI			
	RF - Raised Face, RJ - Ring Joint, CT - Xylan Coated			
	FLANGED BODY SUB,2"-900,RF - 2.06" Bore	123727	42	236
	FLANGED BODY SUB,2"-1500,RF,RJ - 2.06" Bore	123728	42	250
	FLANGED BODY SUB,3"-900,RF - 3.06" Bore	123748	47	336
	FLANGED BODY SUB,3"-2500,RF - 3.06" Bore	123736	54	350
	FLANGED BODY SUB,3"-1500,RF,CT - 3.06" Bore	120338	54	350
	FLANGED BODY SUB,4"-2500,RJ,CT - 4.06" Bore	123750	88	450
	FLANGED BODY SUB,4"-2500,RF,CT - 4.06" Bore	123751	88	450

Xylan coated and sour gas in non-standard size available upon request

ITEM NO.	DESCRIPTION	OTECO PART NO.	WEIGHT Lbs.	GATE VALVE MODEL(S)
14	BODY CAP - Standard Service			
	BODY CAP,BC224	121422	12	224
	BODY CAP,BC236	121423	14	236
	BODY CAP,BC250	121425	13	250
	BODY CAP,BC324	121432	19	324
	BODY CAP,BC336	121433	27	336
	BODY CAP,BC350	121435	26	350
	BODY CAP,BC350 - Xylan Coated	121436	26	350
	BODY CAP,BC424	121442	25	424,524
	BODY CAP,BC436	121443	43	436,536
	BODY CAP,BC450	121445	42	450,550
	BODY CAP - Sour Gas			
	BODY CAP,BC236,SG	120266	14	236
	BODY CAP,BC250,SG	120267	13	250
	BODY CAP,BC424,SG	120271	25	424,524
	BODY CAP,BC450,SG	120273	42	450,550
Xylan coated and sour gas in non-standard size available upon request				
15	BODY STUD (4 Req'd)			
	BODY STUD,BS224	121522	1	224
	BODY STUD,BS250	121525	1	250
	BODY STUD,BS324	121532	1	236,324
	BODY STUD,BS336	121533	2	336
	BODY STUD,BS350	121535	2	350
	BODY STUD,BS424	121542	2	424,524
	BODY STUD,BS436	121543	2	436,536
	BODY STUD,BS450	121545	2	450,550
16	BODY STUD NUT (4 Req'd)			
	BODY STUD NUT,BN224	121622	1	224,236,324
	BODY STUD NUT,BN250	121625	1	250
	BODY STUD NUT,BN336	121633	2	336
	BODY STUD NUT,BN350	121635	2	350
	BODY STUD NUT,BN424	121642	2	424,524
	BODY STUD NUT,BN436	121643	2	436,536
	BODY STUD NUT,BN450	121645	2	450,550

ITEM NO.	DESCRIPTION	OTECO PART NO.	WEIGHT Lbs.	GATE VALVE MODEL(S)
17	GREASE FITTING GREASE FITTING,STEEL,1/8" PTF - 10,000 PSI	301616	0.1	ALL MODELS
18	GREASE FITTING - Standard GREASE FITTING,STEEL,1/8" PTF - 10,000 PSI	301616	0.1	ALL MODELS
	GREASE FITTING - Sour Gas GREASE FITTING,316SS,1/4" NPTF - 10,000 PSI	302554	0.1	ALL MODELS

MOST COMMON GATE VALVE ASSEMBLIES LIST

LPT - Line Pipe Thread, SG - Sour Gas, BW - Butt weld

GATE VALVE,224,72,2" LPT	112241	58	224
GATE VALVE,236,72,2" LPT	112361	84	236
GATE VALVE,236SG,72,2" LPT	110159	84	236
GATE VALVE,250,72,2" BW SCH.XXS	112504	86	250
GATE VALVE,250,72,2" LPT	112501	86	250
GATE VALVE,250SG,72,2" BW SCH.XXS	110086	86	250
GATE VALVE,324,72,3" LPT	113241	100	324
GATE VALVE,336,72,3" BW SCH.XXS	113364	168	446
GATE VALVE,336,72,3" LPT	113361	168	446
GATE VALVE,350,72,3" BW SCH.XXS	113504	168	350
GATE VALVE,350,72,3" LPT	113501	168	350
GATE VALVE,350SG,72,3" BW SCH.XXS	110089	168	350
GATE VALVE,424,72,4" LPT	114241	163	424
GATE VALVE,436,72,4" BW SCH.XXS	114364	250	436
GATE VALVE,436,72,4" LPT	114361	250	436
GATE VALVE,450,72,4 BW SCH.XXS	114504	250	450
GATE VALVE,450,72,4" LPT	114501	250	450
GATE VALVE,450SG,72,4" BW SCH.XXS	110092	250	450
GATE VALVE,536,72,5" BW SCH.XXS	115364	260	536
GATE VALVE,550,72,5" BW SCH.XXS	115504	280	550
GATE VALVE,550SG,72,5" BW SCH.XXS	110095	280	550



For over 60 years OTECO, Inc. has been providing high quality oilfield equipment to the worldwide oil and gas markets.

Operating from our modern 120,000 square foot manufacturing facility in Houston, Texas, OTECO continues to provide products to the high quality standards for which we are known.

OTECO, Inc.



2828 Trout St.
Houston, Texas 77093-5546

Phone: 713-695-3693
Fax: 713-695-3520
Web Address: <http://www.OTECO.com>
E-mail: Sales@OTECO.com